



art metal

29 TECHNO LED

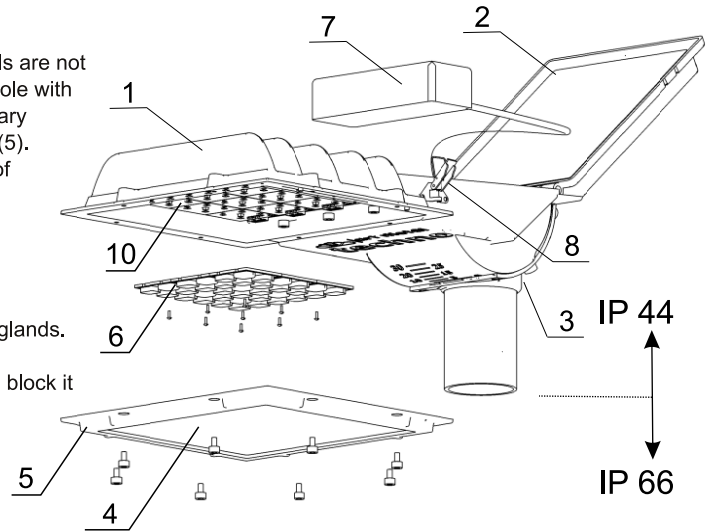
Ul. Jabłoniowa 124, 83-331 Łapino Kartuskie, Poland
Tel. 0048 58 681 80 78, Fax: 0048 58 681 80 64
www.art-metal.pl e-mail: biuro@art-metal.pl

Construction:

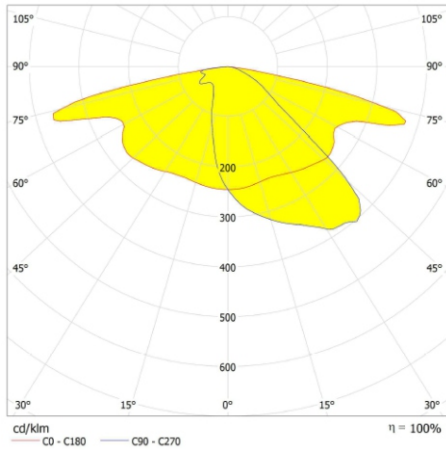
The unit consists of a body (1) closed on the top with a bonnet (2) with hinge. Tools are not necessary, to open a luminary unfasten buckles (8). The body is mounted to the pole with adjustable joint (3) which enables to regulate its position. Optical part of the luminary with LED modules(10) and lenses (6) is tightly closed by shade (4) with a frame (5). Power supply (8) is placed in a separate, hermetic compartment. The tightness of the luminary ensure theseals (9).

Mounting instructions:

- Lead the cable through the joint and place a luminary on the pole or arm (diameter $\varnothing 60\text{-}\varnothing 76\text{ mm}$)
- Tighten the screws and stabilize luminary in a proper position
- Make electrical connections in accordance with the markings. Tighten the cable glands.
- Close the bonnet (2), fasten to the body (1) with buckles (8).
- Angle of the luminary is regulated with a scale on the joint. Tighten the screws to block it on the correct position.



TECHNICAL DATA:



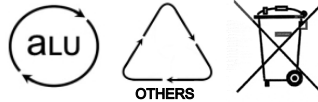
Power: ~230/50Hz

Protective class: I

IP44 -electrical part

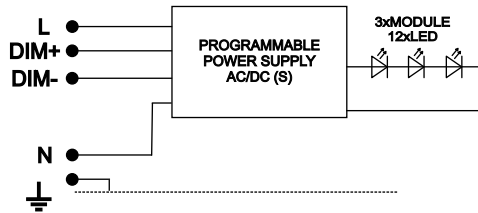
IP66 -optical part

IK08

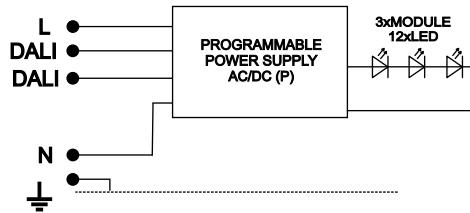


Photometry (polar plot)

ELECTRICAL DIAGRAMS:



1. Module LED - power supply Lite Prog (S)



2. Module LED - power supply Full Prog (P)

Type	Light-prod. element	Luminous flux [lm]		Weight [kg]	Pn [W]	Luminary dimensions
		3000K (830)	4000K (840)			
29 L-38W	36-LED	4116	4387	5,5	38	
29 L-50W	36-LED	5311	5667	5,5	50	
29 L-62W	36-LED	6424	6863	5,5	62	
29 L-74W	36-LED	7462	7983	5,5	74	
29 L-86W	36-LED	8430	8824	5,6	86	
29 L-99W	36-LED	9329	9769	5,6	99	

WARNING !! The weight of the unit may slightly differ for individual production batches.

