



art metal

03 LIBRA LED

F.P.H. Art Metal Sp.j.

Ul. Jabłoniowa 124, 83-331 Łapino Kartuskie, Poland
Tel. 0048 58 681 80 78, Fax: 0048 58 681 80 64
www.art-metal.pl e-mail: biuro@art-metal.pl

Construcion:

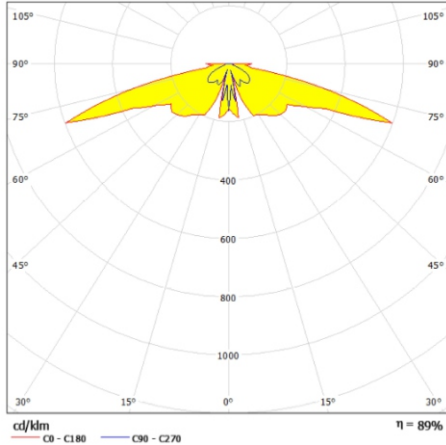
The unit consists of a metal basket (1) holding a shade (2). A disk (4) separating electrical compartment from lighting compartment is attached to a luminary cover (3) on the top. A LED light source radiator (6) is mounted to the disk (4). LED module is mounted to the radiator (6) a tightly closed with a lens (5). Module is powered with a voltage power supply (7). The luminary cover (4) is mounted to the luminary body (1) with a hinge and closed with a screw so no additional tools are necessary. The luminary is sealed with a gasket (8).

Mounting instruction:

- *)- Put the shade (2) into the basket (1)
- *)- Screw the radiator (6) to mount an LED light source to the disk (4)
- *)- Connect the electrical cables to the terminals of power supply (7)
- Screw tightly disk (4) to the luminary cover (3)
- Close the cover using hand.
- Luminary is mounted to the lantern depending on the pole construction - either hanging on M20 thread or mounted on the top of the pole on $\varnothing 45\text{-}\varnothing 90$ diameter.

If any lantern elements are supplied factory-mounted, the mounting stages marked with *) should be omitted (as this has already been done by the manufacturer).

TECHNICAL DATA:



Photometry (polar plot)

Power: ~230/50Hz

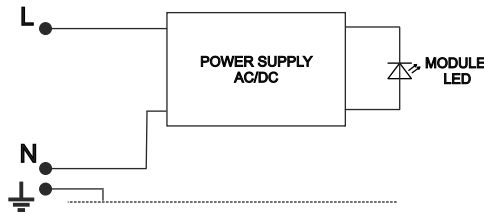
Protective class: I

IP44 -electrical part

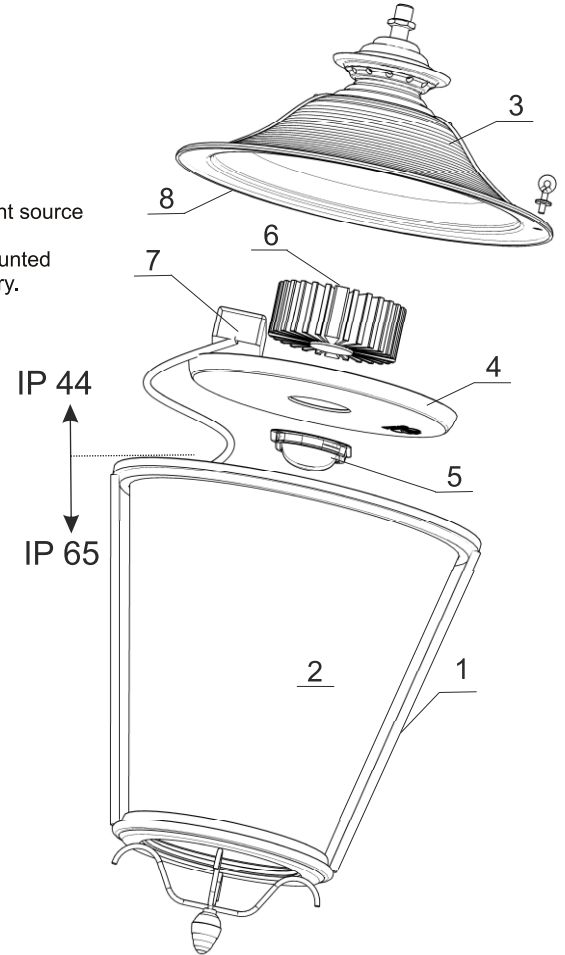
IP65 -optical part



ELECTRICAL DIAGRAM:



1.Module LED



Type	Light-prod. element	Luminous flux[lm]		Weight [kg]	Pn [W]	Luminary dimensions	
		3000K	4000K				
03L-33W	NZL33(Cree)	3777	4062	17,5	33	 Wind area A = 0,23m ²	 L/D 790/480
03L-38W	NZL38(Cree)	4227	4546	17,5	38		
03L-50W	NZL50(Cree)	5228	5622	17,5	50		
03L-58W	NZL58(Cree)	5784	6220	17,5	58		



WARNING !! The weight of the unit may slightly differ for individual production batches.

